

UNDERGROUND STORAGE TANK (UST) APPURTENANCE SCHEDULE

PRODUCT	INTERSTITIAL WELL NO. 1 (SEE DETAIL 1/ST-3)	SERVICE MANWAY (SEE DETAIL 2/ST-3)	AUXILLIARY TANK FITTING	FILL/SPILL CONTAIN. BOX (SEE DETAIL 3/ST-3)	INTERSTITIAL WELL NO. 2 (SEE DETAIL 4/ST-3)
DIESEL FUEL NO. 2 (SEE NOTE 2)	<ul style="list-style-type: none"> SECONDARY TANK BOSS: 2" NPT REDUCER BUSHING: 4"x2" NPT RISER PIPE: 4"DIA SCHEDULE 40 BLACK STEEL WITH ASPHALT MASTIC COATING AND 4" NPT ENDS. LENGTH TO SUIT. HANDHOLE: EMCO WHEATON EWA 722-001, OPW 104AOW OR EQUAL INCLUDING MONITOR WELL HANDHOLE WITH LOCKABLE CAP AND COLLAR. PROTECTION PROVER: PP2 LUG ON TOP SIDE OF TANK WITH WIRE CONNECTION WRAPPED AROUND RISER PIPE UP TO EXPOSED CONNECTION IN MONITOR WELL HANDHOLE. <p>NOTE: THIS MONITOR WELL TO BE USED FOR PROTECTION PROVER AS WELL AS MANUAL LEAK DETECTION OF INTERSTITIAL SPACE IN DOUBLE WALL TANK. IT CAN ALSO SERVE FOR ADDITIONAL AUTOMATIC LEAK DETECTION LIQUID SENSOR IN THE FUTURE AS REQUIRED.</p>	<ul style="list-style-type: none"> SERVICE MANHOLE: UNIVERSAL 78-3610 FRAME AND COVER TANK MANHOLE: CLAY AND BAILEY ASRFM36 REVERSE FLANGE MANHOLE FRAME AND ASRFM KIT-A COVER AND GASKET KIT. COVER WITH THREE (3) PRIMARY TANK BOSSES AT 4" NPT EACH ARRANGED ON A CIRCLE AROUND CENTER AT 120° SEPARATION. SUMP: CONTAINMENT TECHNOLOGIES HD 2033, 3033 OR 4033 WITH BOLTED WATERTIGHT LID AND RISER EXTENSIONS 9033 AS APPLICABLE. TANK MANHOLE FITTING NO. 1: PRODUCT <ul style="list-style-type: none"> PRIMARY TANK BOSS: 4"NPT REDUCER BUSHING: 4"x2" NPT DOUBLE TAPPED PIPING: 2"DIA AMERON DUALLOY 3000/L WITH SUMP WALL PENETRATION ASSEMBLY PART NO. 3303670 SUCTION TUBE: 2"DIA SCHEDULE 40 BLACK STEEL WITH 2"NPT ENDS SUCTION CHECK VALVE: EMCO WHEATON A464-002, OPW 32H-5055 OR EQUAL POPPET ANGLE CHECK VALVE SUCTION STRAINER: EMCO WHEATON I57, OPW EQUIVALENT MODEL OR EQUAL LOCATED WITH 6" CLEARANCE ABOVE STRIKER PLATE AT BOTTOM OF TANK. TANK MANHOLE FITTING NO. 2: VENT (SEE NOTE 5) <ul style="list-style-type: none"> PRIMARY TANK BOSS: 4" NPT REDUCER BUSHING 4"x2" NPT SINGLE TAPPED PIPING: 2"DIA AMERON DUALLOY 3000/L WITH SUMP WALL PENETRATION ASSEMBLY PART NO. 3303670 VENT CAP: EMCO WHEATON MR 354, OPW 23 OR EQUAL UPWARD DISCHARGE VENT. FOR VAPOR RECOVERY SYSTEMS USE EMCO WHEATON EWA 84, OPW 523 OR EQUAL PRESSURE/VACUUM VENT WITH SETTINGS TO MEET LOCAL REQUIREMENTS (SEE NOTE 6) TANK MANHOLE FITTING NO. 3: INVENTORY PROBE <ul style="list-style-type: none"> PRIMARY TANK BOSS: 4"NPT RISER PIPE: 4"DIA SCHEDULE 40 BLACK STEEL WITH 4"NPT ENDS. LENGTH TO SUIT INVENTORY PROBE: VEEDER ROOT TLS-350 SYSTEM WITH PROBE LENGTH TO SUIT AND CAP AND RING KIT AT TOP OF RISER PIPE. LEAK DETECTION SENSOR: VEEDER ROOT TLS-350 SYSTEM WITH LIQUID SENSOR IN BOTTOM OF SUMP 	<ul style="list-style-type: none"> PRIMARY TANK BOSS: 4" NPT RISER PIPE: 4" DIA SCHEDULE 40 BLACK STEEL WITH ASPHALT MASTIC COATING AND 4" NPT ENDS. LENGTH TO SUIT. VAPOR RECOVER HANDHOLE: ACE TANK AT717-12, OPW 104A-1066 OR EQUAL VAPOR RECOVERY ADAPTER: EMCO WHEATON EWA76, OPW 1611AV OR EQUAL. VAPOR RECOVERY ADAPTER CAP: EMCO WHEATON EWA 99, OPW 1711T OR EQUAL <p>NOTE: NO AUXILLIARY TANK FITTING ON TANKS LESS THAN 1000 GALLONS</p>	<ul style="list-style-type: none"> PRIMARY TANK BOSS: 4"NPT RISER PIPE: 4" DIA SCHEDULE 40 BLACK STEEL WITH ASPHALT MASTIC COATING AND 4" NPT ENDS. LENGTH TO SUIT. CONTAINMENT HANDHOLE: EMCO WHEATON EWA 1003-008, OPW 1-4580 OR EQUAL. FILL ADAPTER: EMCO WHEATON EWA 30-014, OPW 633T OR EQUAL. FOR COAXIAL VAPOR RECOVERY SYSTEMS USE EMCO WHEATON EWA 9-001, OPW 633TC OR EQUAL. FILL CAP: EMCO WHEATON EWA 97-003, OPW 634TT OR EQUAL. OVERFILL PREVENTION: EMCO WHEATON A100-001, OPW 6150 OR EQUAL. DROPTUBE: EMCO WHEATON EWA20-004, OPW 61T-7268 OR EQUAL. FOR COAXIAL VAPOR RECOVERY SYSTEMS USE, EMCO WHEATON EWA 90-001, OPW 61TC OR EQUAL. LENGTH CUT TO SUIT WITH 45/d ANGLE END TERMINATING 8 - 12" ABOVE STRIKER PLATE AT BOTTOM OF TANK TO MEET LOCAL REQUIREMENTS. <p>NOTES: ENGRAVE WORDS "DIESEL FUEL NO. 2" ON COVER OF FILL/SPILL CONTAINMENT BOX IN LARGEST LETTERS PRACTICAL TO FIT SPACE WITH 1/8 INCH WIDE BY 1/16 INCH DEEP MINIMUM CUT FOR THE INSCRIPTION.</p>	<ul style="list-style-type: none"> SECONDARY TANK BOSS: 2"NPT REDUCER BUSHING: 4"x2"NPT RISER PIPE: 4" DIA SCHEDULE 40 BLACK STEEL WITH ASPHALT MASTIC COATING AND 4" NPT ENDS. LENGTH TO SUIT. HANDHOLE: EMCO WHEATON EWA 721-001, OPW 104 AOW OR EQUAL. LEAK DETECTION SENSOR: VEEDER ROOT TLS-350 SYSTEM WITH LEAK SENSOR IN INTERSTITIAL SPACE OF DOUBLE WALL TANK AND WATERPROOF CAP AND RING KIT AT TOP OF RISER PIPE.
UNLEADED GASOLINE (SEE NOTE 2)	<ul style="list-style-type: none"> SAME AS DIESEL FUEL NO. 2 ABOVE 	<ul style="list-style-type: none"> SAME AS DIESEL FUEL NO. 2 ABOVE 	<ul style="list-style-type: none"> SAME AS DIESEL FUEL NO. 2 ABOVE 	<ul style="list-style-type: none"> SAME AS DIESEL FUEL NO. 2 ABOVE EXCEPT WORDS "UNLEADED GASOLINE" ON COVER OF FILL/SPILL CONTAINMENT BOX. 	<ul style="list-style-type: none"> SAME AS DIESEL FUEL NO. 2 ABOVE
WASTE OIL (SEE NOTE 2)	<ul style="list-style-type: none"> SAME AS DIESEL FUEL NO. 2 ABOVE 	<ul style="list-style-type: none"> SAME AS DIESEL FUEL NO. 2 ABOVE EXCEPT NO ANGLE CHECK VALVE OR STRAINER IN PRODUCT PIPE 	<ul style="list-style-type: none"> SAME AS DIESEL FUEL NO. 2 ABOVE 	<ul style="list-style-type: none"> SAME AS DIESEL FULE NO. 2 ABOVE EXCEPT FILL IS TO BE USED AS A PUMPOUT; NO OVERFILL PROTECTION DEVICE; NO COAXIAL ADAPTER OR DROPTUBE; AND ENGRAVE "WASTE OIL" ON COVER OF FILL/SPILL CONTAINMENT BOX. 	<ul style="list-style-type: none"> SAME AS DIESEL FUEL NO. 2 ABOVE

ABOVEGROUND STORAGE TANK (AST) APPURTENANCE SCHEDULE

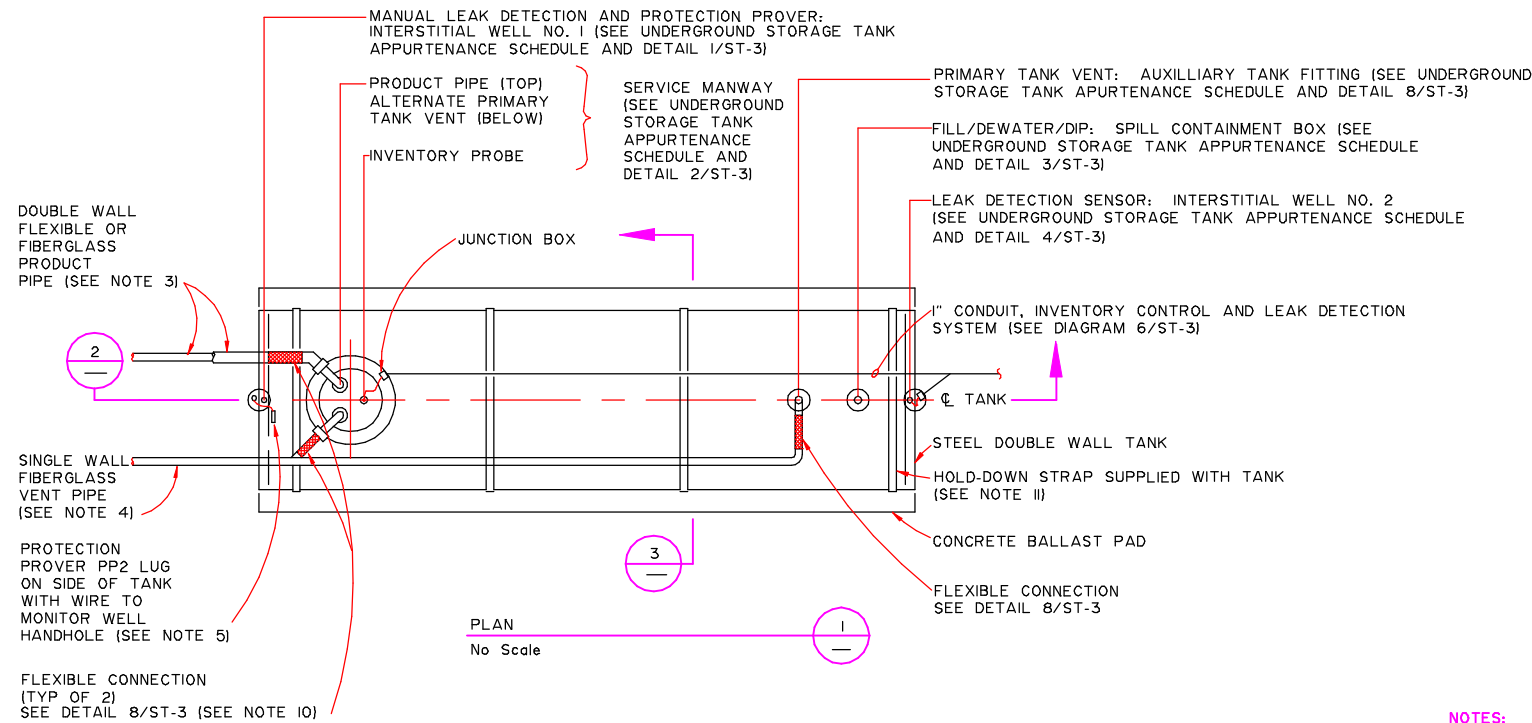
PRODUCT	TANK FITTING NO. 1	TANK FITTING NO. 2	TANK FITTINGS NO. 3 AND 6	TANK FITTINGS NO. 4 AND 5	TANK FITTING NO. 7	TANK FITTING NO. 8
DIESEL FUEL NO. 2 (SEE NOTE 2)	<ul style="list-style-type: none"> TANK BOSS: 4" NPT RISER PIPE NIPPLE: 4"DIA SCHEDULE 40 BLACK STEEL WITH 4"NPT ENDS. FILL DRYBREAK ADAPTER: EMCO WHEATON F500, OPW 1611A OR EQUAL. ISOLATION VALVE: MORRISON 235B OR EQUAL. FILL CAP: EMCO WHEATON F499, OPW 1711T OR EQUAL. OVERFILL PREVENTION: CLAY BAILEY LAFON FILL LIMITER OR EQUAL. DROP TUBE: EMCO WHEATON EWA 20-004, OPW 61T-7268 OR EQUAL. LENGTH CUT TO SUIT WITH 45° ANGLE END TERMINATING 6" ABOVE BOTTOM OF TANK TO MEET LOCAL REQUIREMENTS. <p>NOTE: STENCIL WORDS "DIESEL FUEL NO. 2" ON TOP OF FILL DRYBREAK SPILL CONTAINMENT BOX IN 2" HIGH LETTERS.</p>	<ul style="list-style-type: none"> TANK MANHOLE: 24" DIA. WITH STAINLESS STEEL NUTS, BOLTS AND WASHERS. 	<ul style="list-style-type: none"> TANK BOSS: 4"NPT REDUCER BUSHING: 4"x2"NPT RISER PIPE NIPPLE: 2"DIA SCHEDULE 40 GALVANIZED STEEL WITH 2" NPT ENDS. VENT: EMCO WHEATON MR 354, OPW 23 OR EQUAL UPWARD DISCHARGE VENT. FOR VAPOR RECOVERY SYSTEMS, USE EMCO WHEATON EWA84, OPW 523 OR EQUAL PRESSURE/VACUUM VENT WITH SETTINGS TO MEET LOCAL REQUIREMENTS. (SEE NOTE 6). 	<ul style="list-style-type: none"> EMERGENCY VENTS: CLAY BAILEY NO. 368 SIZED IN ACCORDANCE WITH UFC 79.509(B). 	<ul style="list-style-type: none"> PRIMARY TANK BOSS: 4" NPT RISER PIPE: 4"DIA SCHEDULE 40 GALVANIZED STEEL WITH 4" NPT ENDS. LENGTH TO SUIT. INVENTORY PROBE: VEEDER ROOT TLS-350 SYSTEM WITH PROBE LENGTH TO SUIT AND CAP AND RING KIT AT TOP OF RISER PIPE. 	<ul style="list-style-type: none"> SECONDARY TANK MANHOLE: 24" DIA WITH S/S NUTS, BOLTS AND WASHERS. PRIMARY TANK BOSS: 4"NPT REDUCER BUSHING: 4"x2" NPT DOUBLE TAPPED RISER PIPE NIPPLE: 2"DIA SCHEDULE 40 BLACK STEEL WITH 2"NPT ENDS SUCTION TUBE: 2"DIA SCHEDULE 40 BLACK STEEL PIPE WITH 2"NPT ENDS SUCTION STRAINER: EMCO WHEATON I57, OPW EQUIVALENT MODEL OR EQUAL LOCATED 6" ABOVE BOTTOM OF TANK. EXTERNAL FIRE SAFETY VALVE: MORRISON 346 OR EQUAL SOLENOID VALVE: ASCO 8210 OR EQUAL. NORMALLY CLOSED. DISPENSER ACTIVATED. LEAK DETECTION SENSOR: VEEDER ROOT TLS 350 SYSTEM WITH LIQUID SENSOR IN INTERSTITIAL SPACE AND ANOTHER IN TANK PIPE SUMP.
UNLEADED GASOLINE (SEE NOTE 2)	<ul style="list-style-type: none"> SAME AS DIESEL FUEL NO. 2 ABOVE EXCEPT STENCIL WORD "UNLEADED GASOLINE". 	<ul style="list-style-type: none"> SAME AS DIESEL FUEL NO. 2 ABOVE. 	<ul style="list-style-type: none"> SAME AS DIESEL FUEL NO. 2 ABOVE. 	<ul style="list-style-type: none"> SAVE AS DIESEL FUEL NO. 2 ABOVE. 	<ul style="list-style-type: none"> SAME AS DIESEL FUEL NO. 2 ABOVE 	<ul style="list-style-type: none"> SAME AS DIESEL FUEL NO. 2 ABOVE
WASTE OIL (SEE NOTE 2)	<ul style="list-style-type: none"> SAME AS DIESEL FUEL NO. 2 ABOVE EXCEPT FILL IS TO BE USED AS A PUMPOUT; NO OVERFILL PREVENTION DEVICE AND STENCIL WORDS "WASTE OIL". 	<ul style="list-style-type: none"> SAME AS DIESEL FUEL NO. 2 ABOVE. 	<ul style="list-style-type: none"> SAME AS DIESEL FUEL NO. 2 ABOVE. 	<ul style="list-style-type: none"> SAME AS DIESEL FUEL NO. 2 ABOVE. 	<ul style="list-style-type: none"> SAME AS DIESEL FUEL NO. 2 ABOVE 	<ul style="list-style-type: none"> SAME AS DIESEL FUEL NO. 2 ABOVE EXCEPT NO STRAINER IN PRODUCT PIPE.

NOTES:

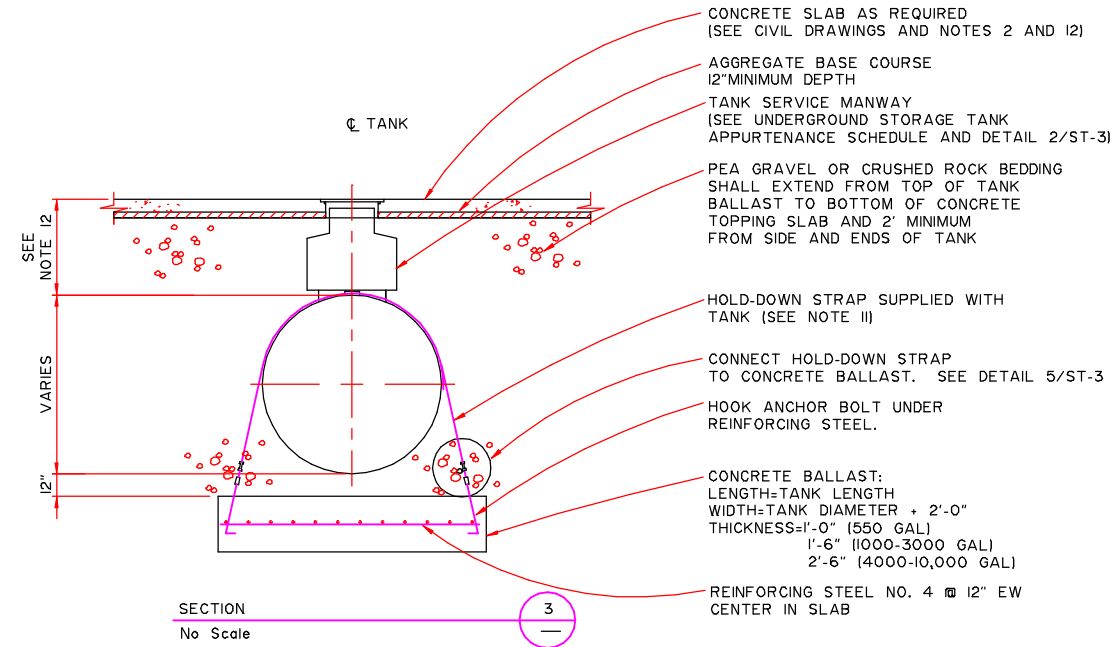
- MANUFACTURER'S PRODUCTS ARE LISTED TO ESTABLISH STANDARD OF QUALITY. PRODUCTS OF EQUAL QUALITY BY OTHER MANUFACTURERS INCLUDING, BUT NOT LIMITED TO, OPE, EBW, POMECO AND CLAY BAILEY ARE ACCEPTABLE. SEE SPECIFICATIONS FOR ADDITIONAL REQUIREMENTS. ALL APPURTENANCES SHALL BE BY SAME MANUFACTURER TO THE EXTENT PRACTICAL.
- ALL TANKS AND APPURTENANCES SHALL BE SUITABLE FOR PETROLEUM PRODUCT LISTED. OTHER PETROLEUM PRODUCTS, ADDITIVES OR FUELS MAY NOT BE COMPATIBLE WITH TANK AND APPURTENANCES.
- ALL APPURTENANCES SHALL, WHERE PRACTICAL, BE SHOP INSTALLED, TESTED AND PAINTED/COATED WITH THE SAME COATING GOING ON THE TANK BEFORE SHIPMENT TO THE SITE.
- TANKS SHALL HAVE WARNING SIGNS FABRICATED AND POSTED AS DIRECTED BY UFC 79.109 AND 79.110.
- TANK VENT SHALL BE LOCATED AT AUXILLIARY TANK FITTING FOR DUAL POINT VAPOR RECOVER. IF NO AUXILLIARY TANK FITTING IS AVAILABLE, THEN LOCATE VENT IN SERVICE MANWAY AS ALTERNATE AND USE COAXIAL VAPOR RECOVER. ALL TANKS SHALL HAVE VAPOR RECOVERY CAPABILITY FOR FUTURE USE OR CHANGE IN TANK STORAGE CONTENTS.
- TANKS THAT ARE NOT REQUIRED TO USE VAPOR RECOVERY IN INITIAL INSTALLATION SHALL HAVE ALL VAPOR RECOVERY APPURTENANCES INSTALLED EXCEPT VENT CAP SHALL BE STANDARD UPWARD DISCHARGE AND NOT PRESSURE/VACUUM VENT CAP.



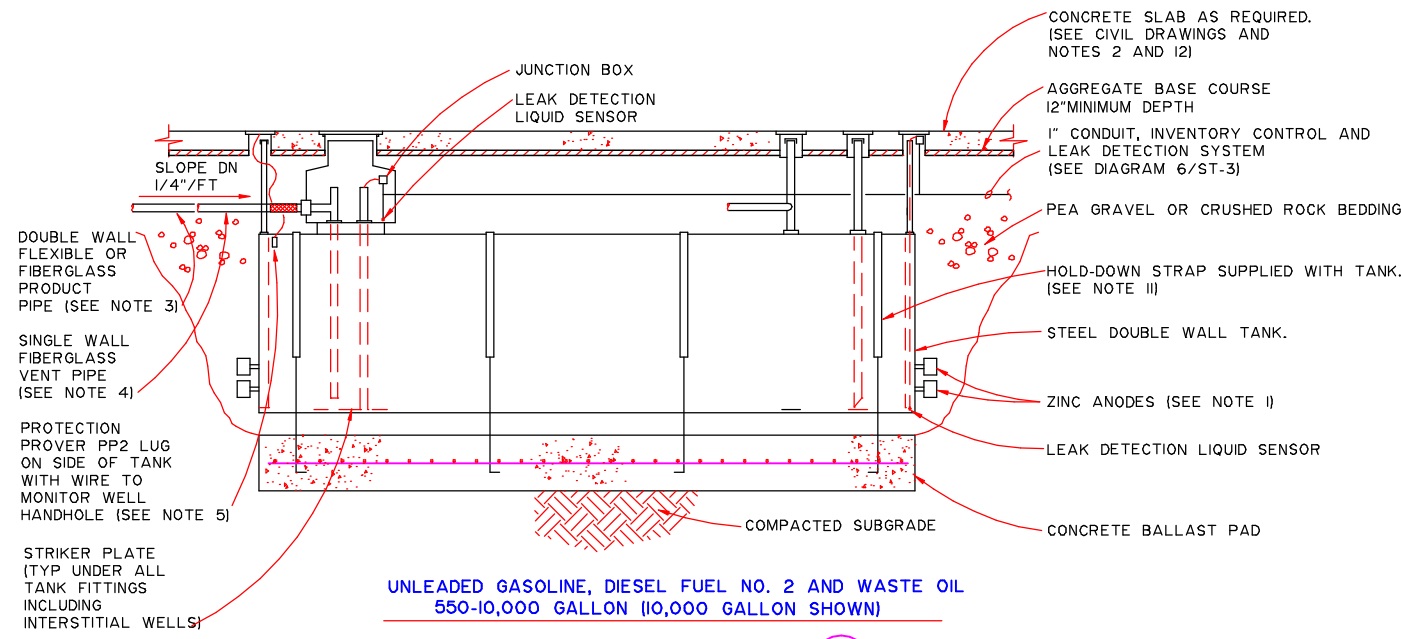
Drawing No.	ST-1	By	
	Sheet No.		
Alaska Department of Transportation & Public Facilities		Effective Date: January 15, 1993	
STORAGE TANK STANDARDS		SCHEDULES	
REVISIONS		Date	Description



PLAN
No Scale



SECTION
No Scale



SECTION
No Scale

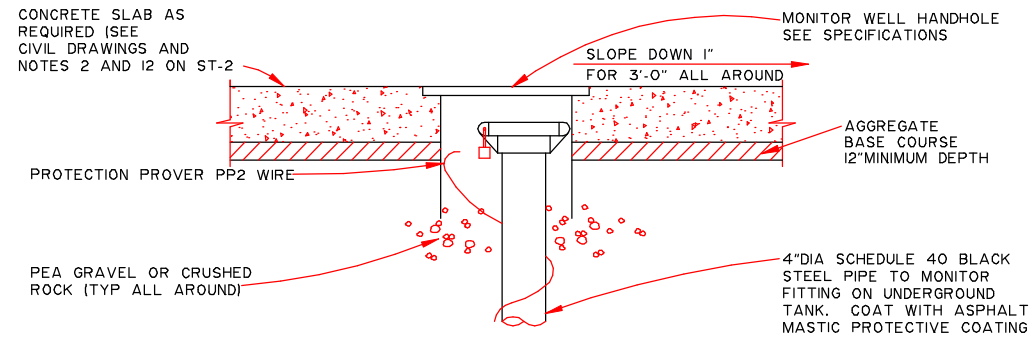
UNLEADED GASOLINE, DIESEL FUEL NO. 2 AND WASTE OIL
550-10,000 GALLON (10,000 GALLON SHOWN)

NOTES:

- ① ZINC ANODES FOR CATHODIC PROTECTION ARE ON TANKS OF STEEL CONSTRUCTION ONLY. TANK MANUFACTURER SHALL DETERMINE SIZE AND NUMBER OF ANODES IN ACCORDANCE WITH UFC 79.603 DEPENDING ON TANK SIZE AND SOIL CONDITIONS.
- ② CONCRETE SURFACE SLAB AS A MINIMUM SHALL BE AS SHOWN IN DETAILS FOR MANHOLES AND HANDHOLES. REST OF SURFACE SHALL BE AS SHOWN ON CIVIL DRAWINGS.
- ③ DOUBLE WALL FLEXIBLE OR FIBERGLASS PRODUCT PIPE IS 2 INCH PRIMARY PIPE INSIDE AND 3 INCH SECONDARY PIPE OUTSIDE.
- ④ SINGLE WALL FIBERGLASS VENT PIPE IS 2 INCH FOR TANK FILL RATE NOT TO EXCEED 700 GPM AND VENT LENGTH NOT TO EXCEED 200 FEET (INCLUDING 7 ELBOWS). IF FILL RATE OR LENGTH EXCEEDS EITHER VALUE, THEN REFER TO UFC 79.604 TO CONFIRM VENT SIZE.
- ⑤ PROTECTION PROVER LUG PP2 SUPPLIED WITH STEEL TANK HAVING STI-P3 PROTECTION. WIRE CONNECTION ALSO SUPPLIED WITH TANK SHALL WRAP AROUND MONITOR WELL RISER PIPE UP TO EXPOSED CONNECTION IN MONITOR WELL HANDHOLE.
- ⑥ FILL IS TO BE USED AS PUMPOUT PORT WHEN TANK IS TO BE USED FOR WASTE OIL STORAGE.
- ⑦ WHERE POSSIBLE, MAINTAIN 20 FEET MINIMUM FROM ANY BUILDING OR ANY PROPERTY LINE THAT CAN BE BUILT UPON. EXCAVATION FOR UNDERGROUND STORAGE TANKS SHALL BE MADE WITH DUE CARE TO AVOID UNDERMINING OF FOUNDATIONS OF EXISTING STRUCTURES. UNDERGROUND TANKS SHALL BE LOCATED WITH RESPECT TO EXISTING BUILDING FOUNDATIONS AND SUPPORTS SO THAT THE LOADS CARRIED BY THE LATTER CANNOT BE TRANSMITTED TO THE TANK. THE DISTANCE FROM ANY PART OF A TANK TO THE NEAREST WALL OF ANY BASEMENT OR PIT AND TO ANY PROPERTY LINE SHALL BE NOT LESS THAN 3 FEET IN ACCORDANCE WITH UFC 79.601.
- ⑧ MULTIPLE TANK INSTALLATIONS SHALL HAVE TANKS PLACED WITH A ONE FOOT MINIMUM SEPARATION IN ACCORDANCE WITH UFC 79.601.
- ⑨ CONCRETE - BACKFILL AND COMPACT UNDERLAYMENTS IN CONFORMANCE WITH THE ALASKA DOT/PF REQUIREMENTS FOR CONCRETE PADS. CONCRETE SHALL BE 3000 PSI AT 28 DAYS, WITH NOT LESS THAN 5 1/2 SACKS TYPE I PORTLAND CEMENT PER CUBIC YARD. SLUMP SHALL BE 2-4". USE 3/4" MINUS AGGREGATE, WASHED CLEAN. WATER SHALL BE POTABLE. PROVIDE ADMIXTURES FOR 5% ± 1% AIR ENTRAINMENT.
- ⑩ FLEXIBLE CONNECTION REQUIRED FOR FIBERGLASS PIPE ONLY - NOT FOR DOUBLE WALL FLEXIBLE PIPE.
- ⑪ NUMBER OF HOLD-DOWN STRAPS AND METHOD OF ELECTRICAL ISOLATION FROM TANK FOR CORROSION PROTECTION SHALL BE AS REQUIRED BY THE TANK MANUFACTURER.
- ⑫ TANKS SHALL BE COVERED WITH A MINIMUM OF 2 FEET OF EARTH OR SHALL BE COVERED BY NOT LESS THAN 1 FOOT OF EARTH, ON TOP OF WHICH SHALL BE PLACED A SLAB OF REINFORCED CONCRETE NOT LESS THAN 4 INCHES THICK. WHEN UNDERGROUND TANKS ARE OR ARE LIKELY TO BE SUBJECTED TO TRAFFIC, THEY SHALL BE PROTECTED AGAINST DAMAGE FROM VEHICLES PASSING OVER THEM BY AT LEAST 3 FEET OF EARTH COVER, OR 18 INCHES OF WELL-TAMPED EARTH AND AGGREGATE BASE COURSE PLUS 6 INCHES OF REINFORCED CONCRETE, OR 8 INCHES OF ASPHALTIC CONCRETE, EXTENDING AT LEAST 1 FOOT HORIZONTALLY BEHIND THE OUTLINE OF THE TANK IN ALL DIRECTIONS. FOR ADDITIONAL REQUIREMENTS PERTAINING TO TANK BURIAL, SEE UFC 79.601(b).

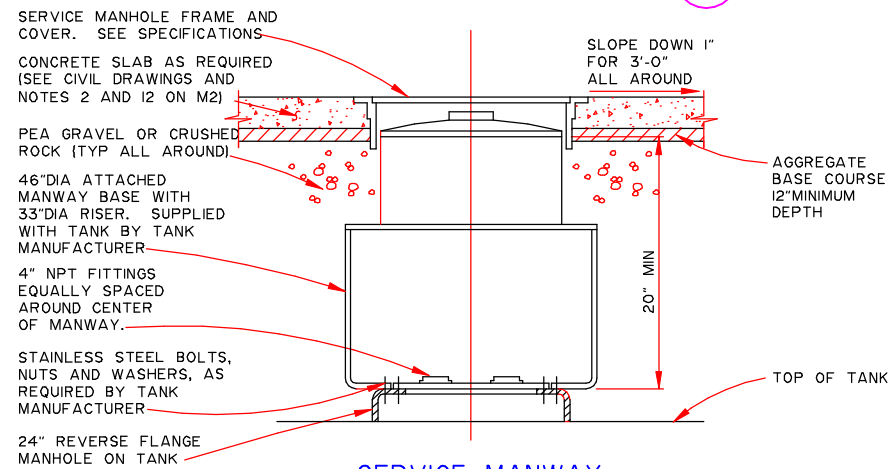


Drawing No. ST-2	Sheet No. 2 of 5	Effective Date: <u>January 15, 1993</u>	
		Alaska Department of Transportation & Public Facilities	UNDERGROUND STORAGE TANKS (UST) PLANS AND SECTIONS
STORAGE TANK STANDARDS		REVISIONS	By
		Description	
		Date	



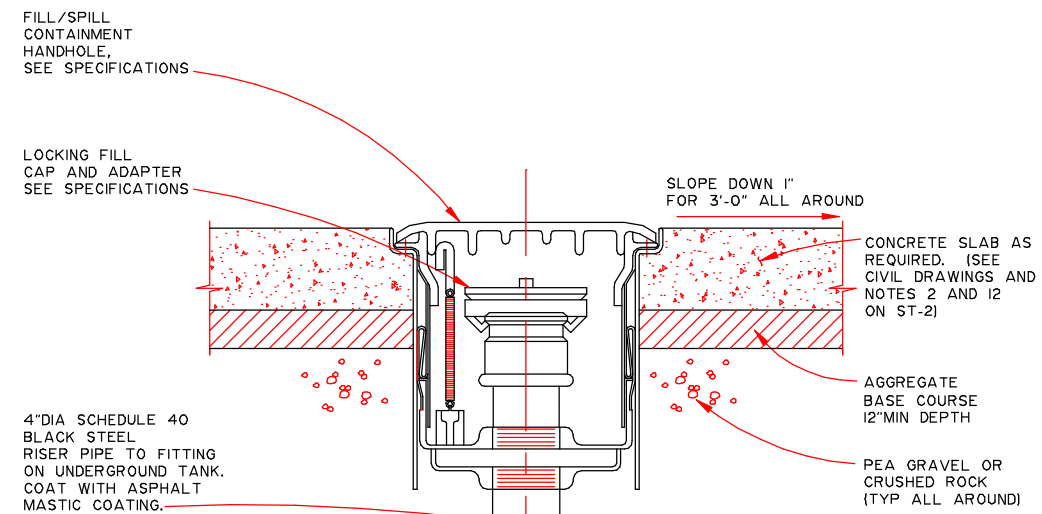
INTERSTITIAL WELL NO. 1

DETAIL No Scale 1 ST-2



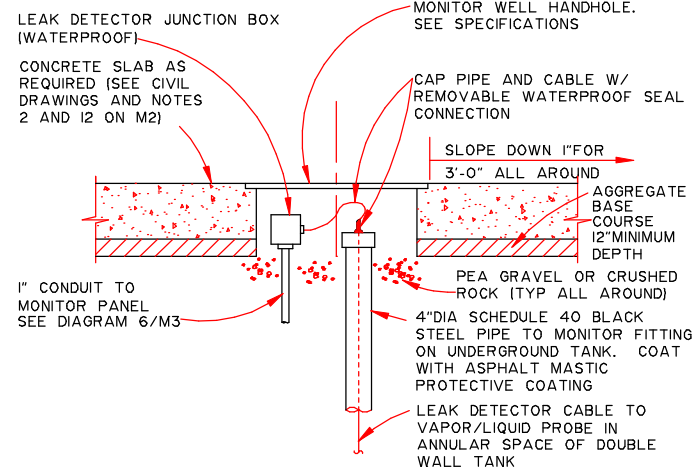
SERVICE MANWAY

DETAIL No Scale 2 ST-2



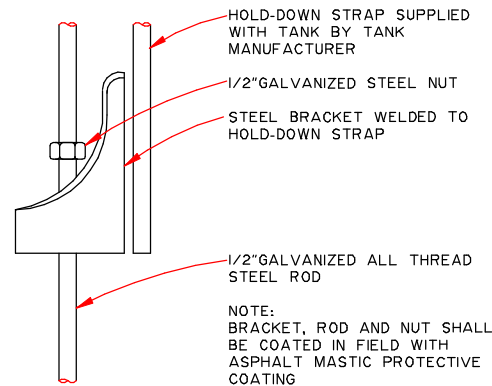
FILL/SPILL CONTAINMENT BOX

DETAIL No Scale 3



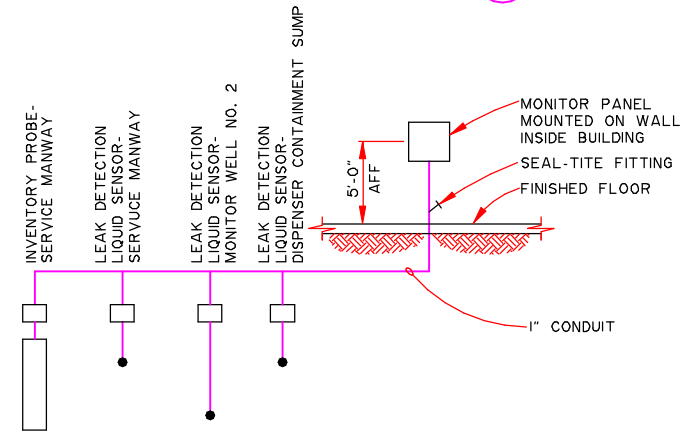
INTERSTITIAL WELL NO. 2

DETAIL No Scale 4 ST-2



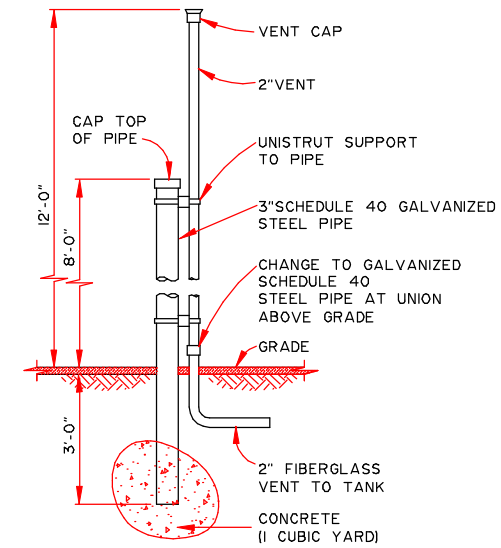
HOLD-DOWN STRAP CONNECTION

DETAIL No Scale 5



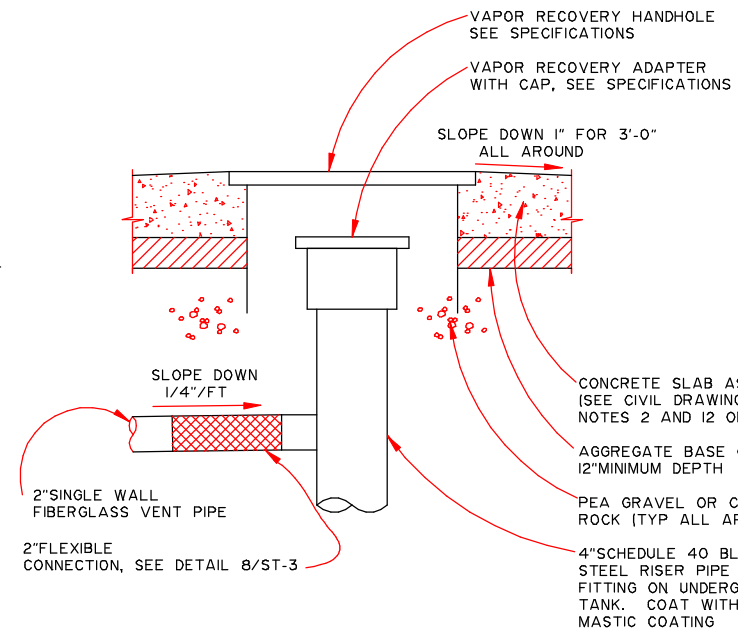
LIST INVENTORY CONTROL AND LEAK DETECTION SYSTEM

DIAGRAM No Scale 6



STAND ALONE VENT SUPPORT

DETAIL No Scale 7



DETAIL No Scale 8

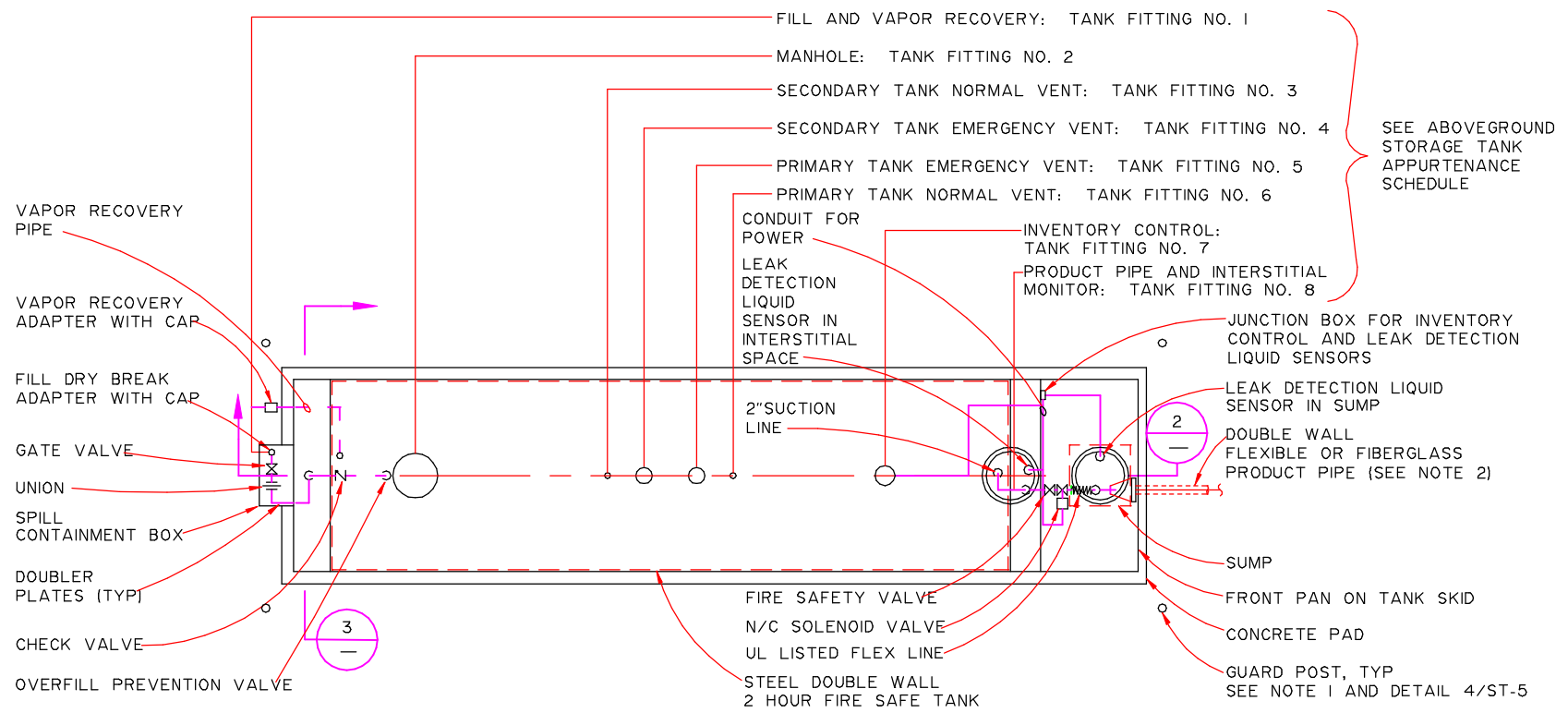


REVISIONS	
Description	By

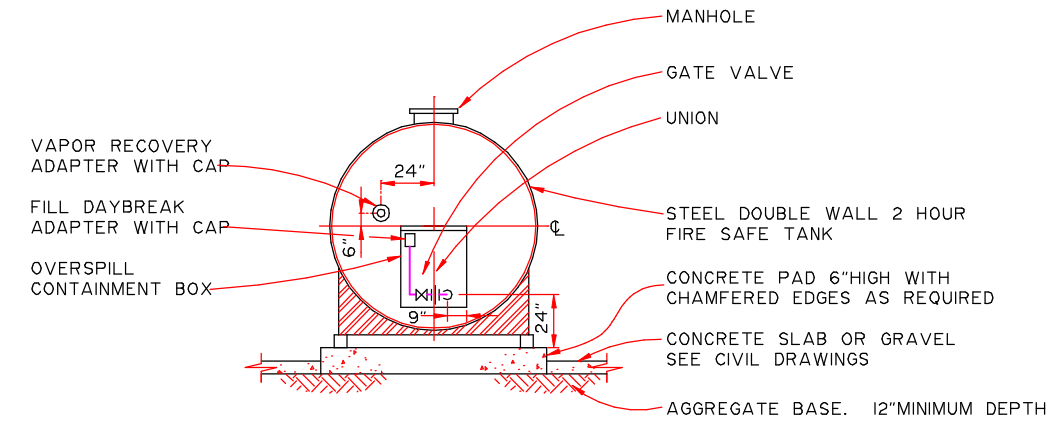
STORAGE TANK STANDARDS
UNDERGROUND STORAGE TANKS (UST)
DETAILS

Alaska Department of Transportation & Public Facilities
Effective Date: January 15, 1993

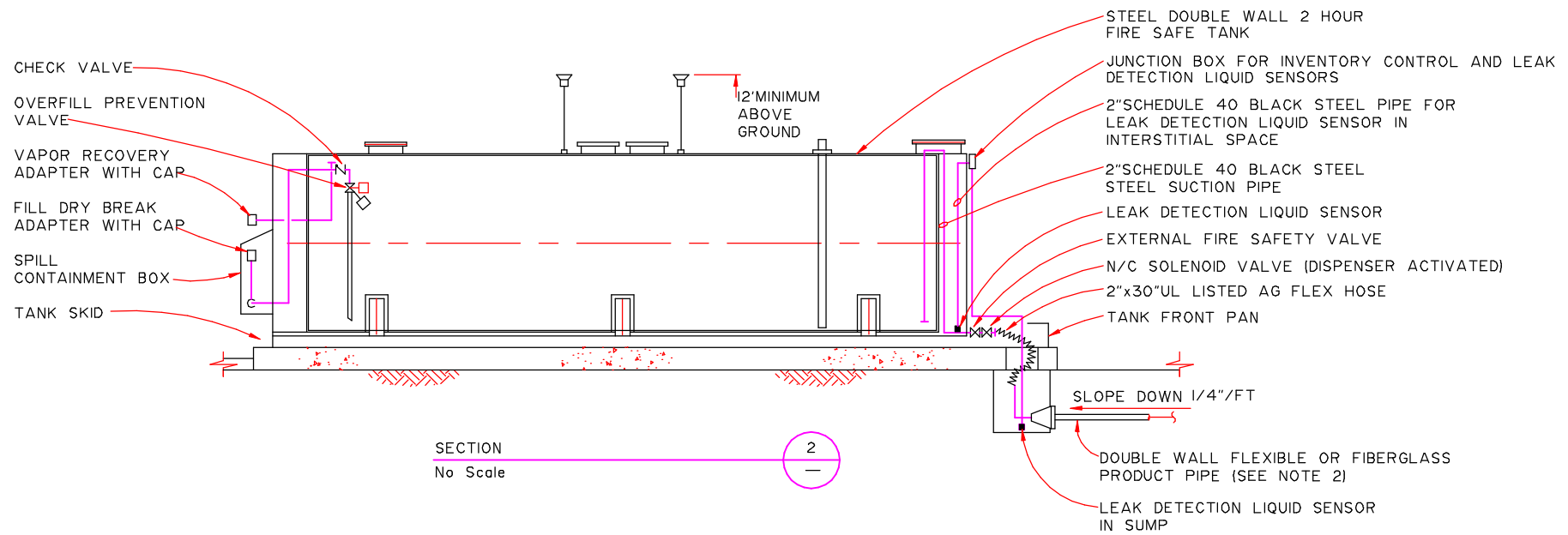
Drawing No. ST-3	3 of 5
Sheet No.	5



PLAN
No Scale



SECTION
No Scale

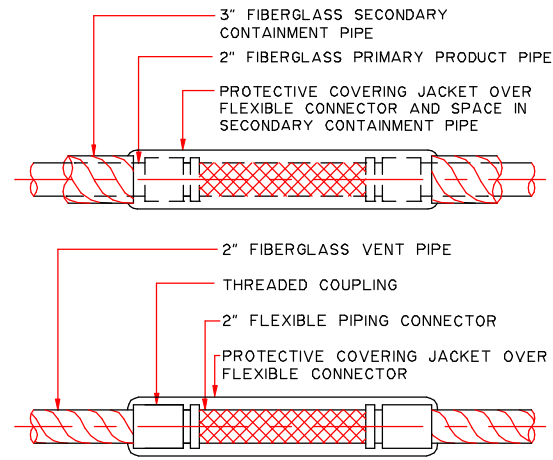


SECTION
No Scale

- ① GUARD POSTS SHALL BE LOCATED 5'-0" FROM CONCRETE PAD ON ALL FOUR CORNERS OF TANK. ADDITIONAL POSTS SHALL BE LOCATED AT NOT GREATER THAN 4'-0" INTERVALS ALONG SIDES AND ENDS OF TANK. TOTAL NUMBER WILL VARY DEPENDING ON SIZE OF TANK. GUARD POSTS IN ACCORDANCE WITH UFC 80.30(W).
- ② DOUBLE WALL FLEXIBLE OR FIBERGLASS PRODUCT PIPE IS 2 INCH PRIMARY PIPE INSIDE AND 3 INCH SECONDARY PIPE OUTSIDE.
- ③ FILL IS TO BE USED AS A PUMP OUT PORT WHEN TANK IS TO BE USED FOR WASTE OIL STORAGE. ELIMINATE CHECK VALVE AND OVERFILL PREVENTION DEVICE.
- ④ MAINTAIN 5' (TANKS LESS THAN 75I GALLONS) OR 7.5' (TANKS 75I - 10,000 GALLONS) MINIMUM DISTANCE FROM PROPERTY LINE OF PROPERTY WHICH IS OR CAN BE BUILT UPON, INCLUDING THE OPPOSITE SIDE OF A PUBLIC WAY AND 5' MINIMUM DISTANCE FROM NEAREST SIDE OF ANY PUBLIC WAY OR FROM NEAREST IMPORTANT BUILDING ON THE SAME PROPERTY IN ACCORDANCE WITH UFC 79.503.
- ⑤ MULTIPLE TANK INSTALLATIONS SHALL HAVE TANKS PLACED WITH A MINIMUM 3 FOOT SEPARATION IN ACCORDANCE WITH UFC 79.504.
- ⑥ PRODUCT PIPE SHALL BE SINGLE PIPE 2" SCHEDULE 40 GALVANIZED STEEL PIPE FROM TANK FITTING TO FLEXIBLE HOSE.
- ⑦ ABOVEGROUND STORAGE TANKS SHALL BEAR A LABEL OR PLACARD IDENTIFYING THE MATERIAL THEREIN IN ACCORDANCE WITH UFC STANDARD NO. 79-3.

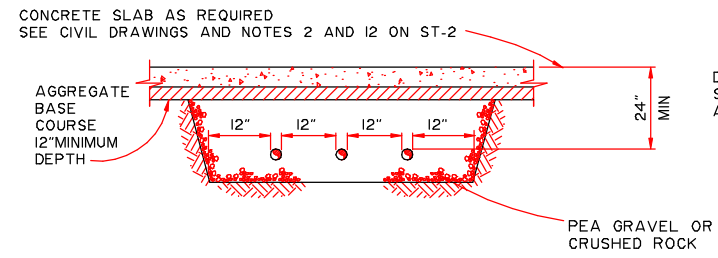


Drawing No. ST-4	Sheet No. 4 of 5	REVISIONS	
		Date	By
Alaska Department of Transportation & Public Facilities		STORAGE TANK STANDARDS	
Effective Date: January 15, 1993		ABOVEGROUND STORAGE TANKS (AST) PLANS AND SECTIONS	



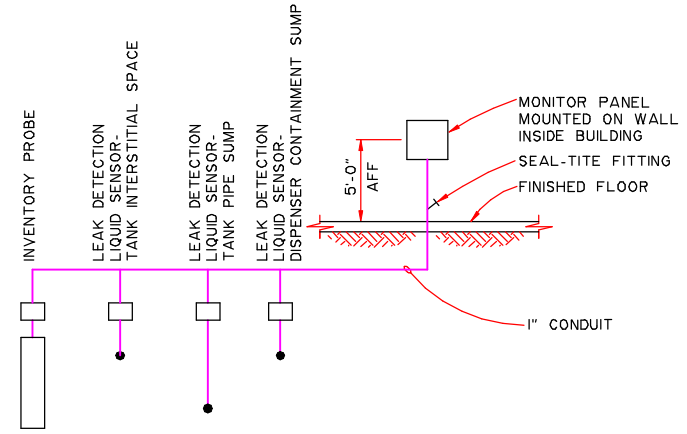
FIBERGLASS PIPING SYSTEM
TYPICAL FLEXIBLE PIPING CONNECTIONS

DETAIL NO SCALE 1



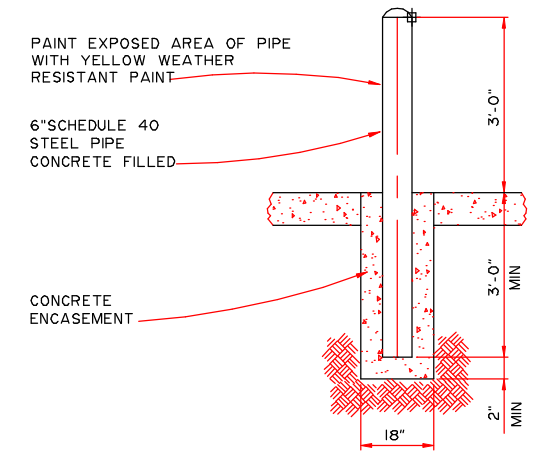
TYPICAL PIPE TRENCH

SECTION NO SCALE 2



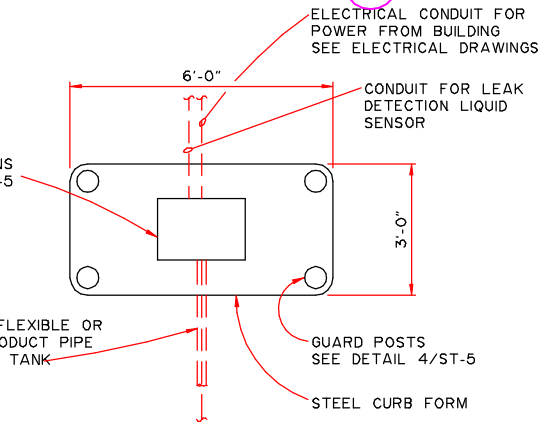
AST INVENTORY CONTROL AND LEAK DETECTION SYSTEM

DIAGRAM NO SCALE 3

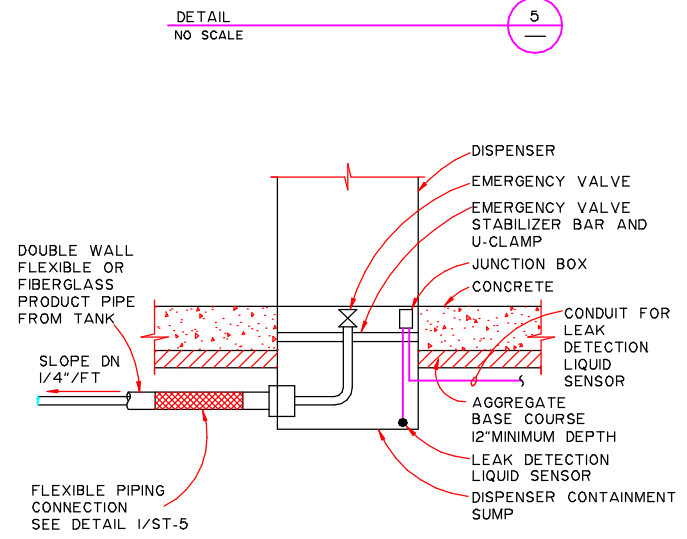


GUARD POST

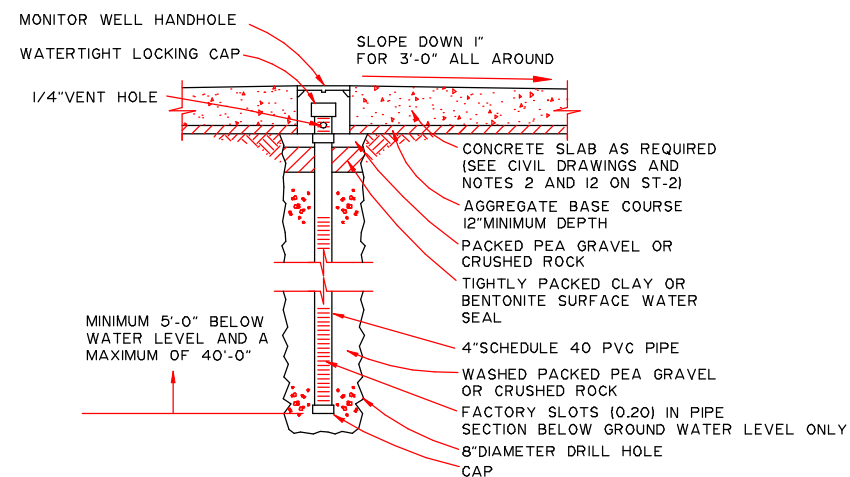
DETAIL NO SCALE 4



DETAIL NO SCALE 5



DETAIL NO SCALE 6



SITE MONITOR WELL

DETAIL NO SCALE 7

REVISIONS		By
Date	Description	

STORAGE TANK STANDARDS
DETAILS

Alaska Department of Transportation & Public Facilities
Effective Date: January 15, 1993

