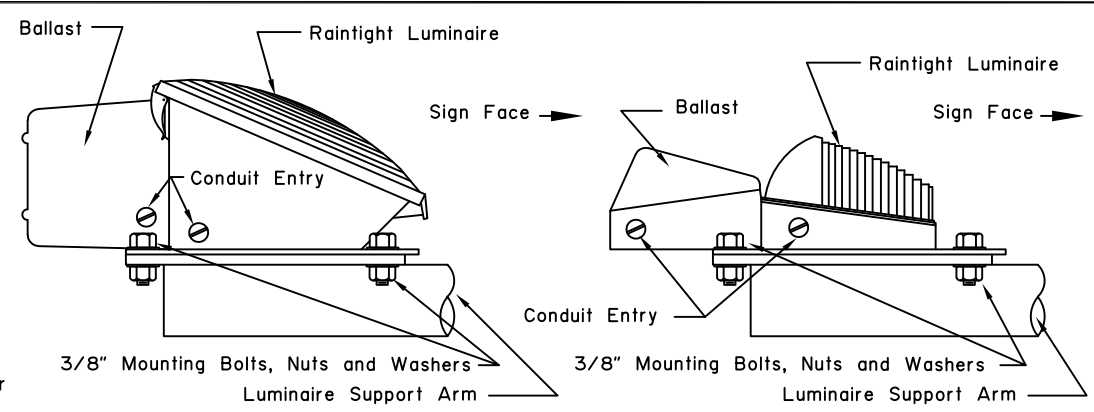
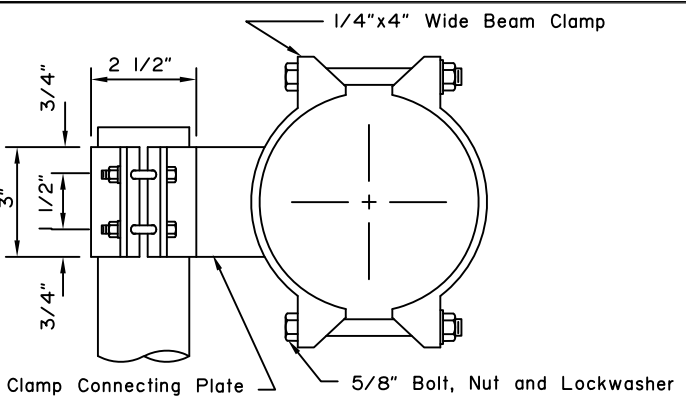
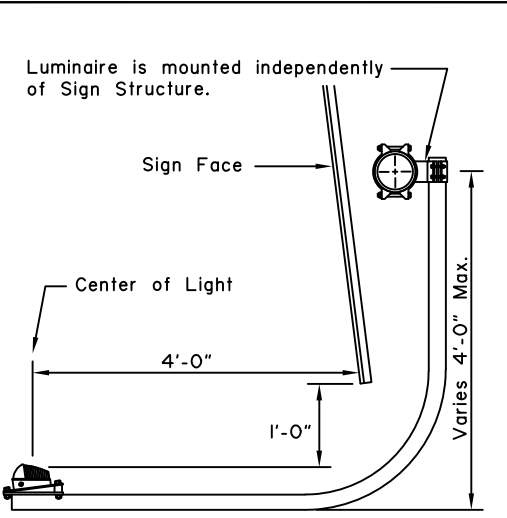
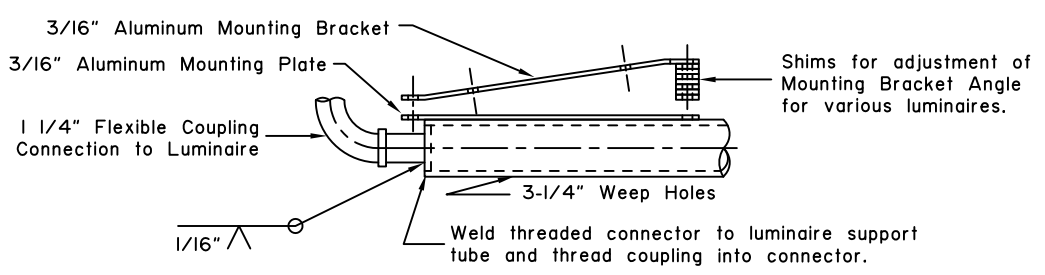
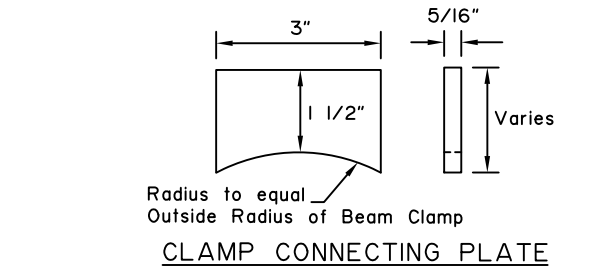
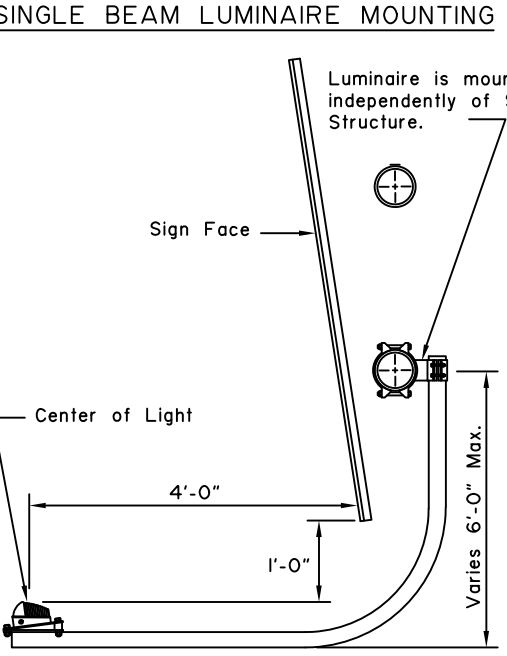
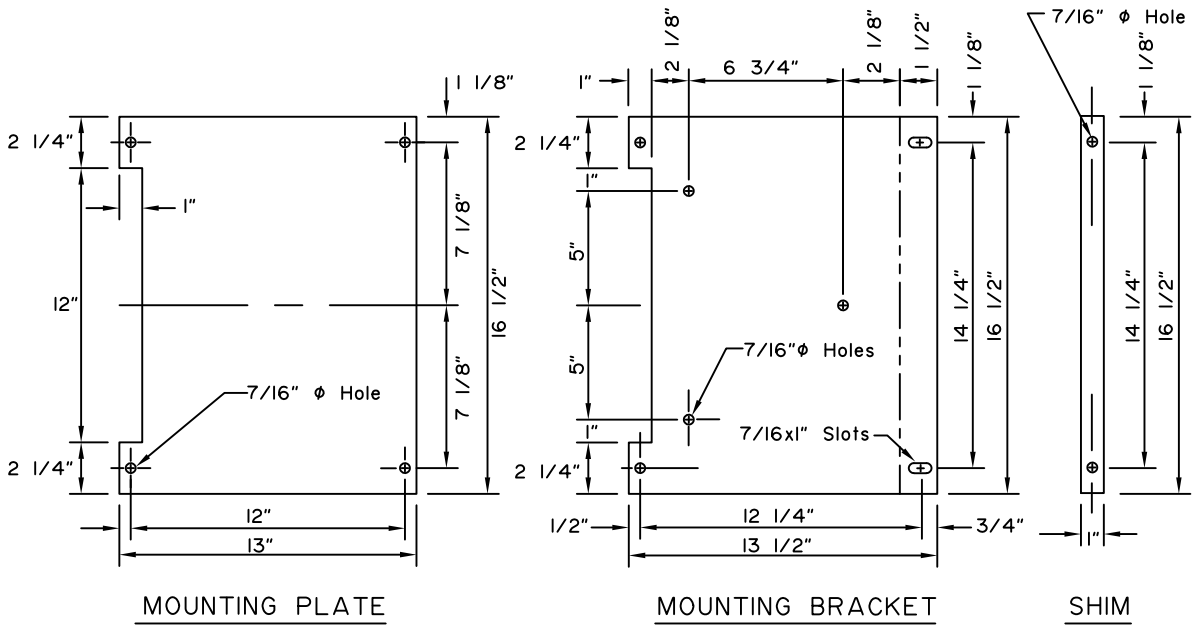
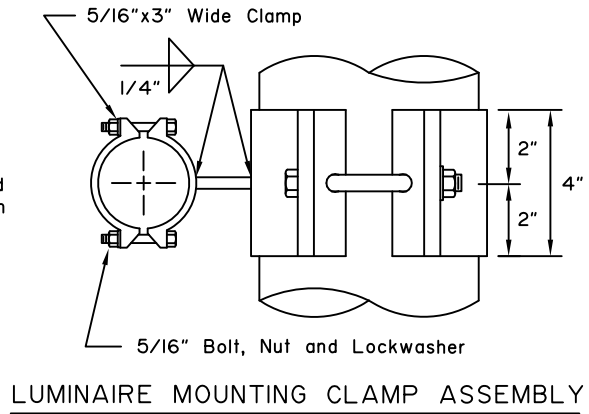


GENERAL NOTES:

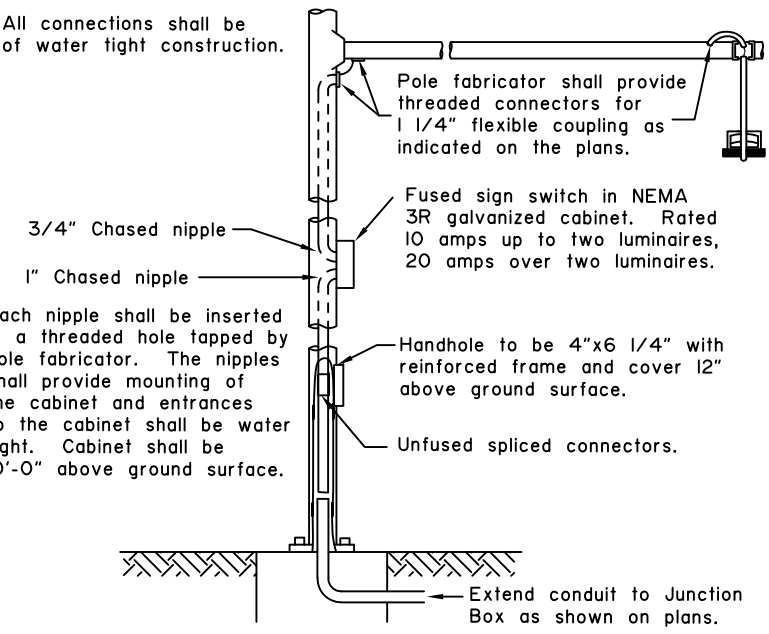
1. Details shown are to indicate general design only. Dimensions and design may vary among the manufacturers.
2. Luminaires shall use 250 watt color improved mercury vapor lamps.
3. Minimum clearance of luminaire and/or sign from travel way shall be 17'6" except where existing structure is lower, in which case it shall be no lower than the existing structure. Height, location and number of luminaires and/or signs shall be specified on the plans.
4. Structural angles, plates, brackets, bends, clamps and fasteners shall be Aluminum Alloy 6061-T6, High Strength Low Alloy Structural Steel ASTM A242, or Steel ASTM A36. Bolts, nuts and washers shall be Aluminum Alloy 2024-T4 or High Strength Steel ASTM A325.
5. All angles, plates, tubing, brackets and fasteners requiring fabrication, welding, bending or riveting shall be shop fabricated to AASHTO Specifications with ASCE Specifications for Design and Construction of Structural Supports for Highway Signs by AASHTO.
6. Assemblies of aluminum in contact with dissimilar metals to be avoided where possible. Aluminum placed in contact with dissimilar metal shall be painted to ASCE Specification 6061 Part II, Section I-6. All ferrous metals shall be galvanized in accordance with ASTM A123 and ASTM A153. Painting of metal surfaces shall conform to Section 708 of the State of Alaska, Standard Specifications for Highway Construction, latest edition.



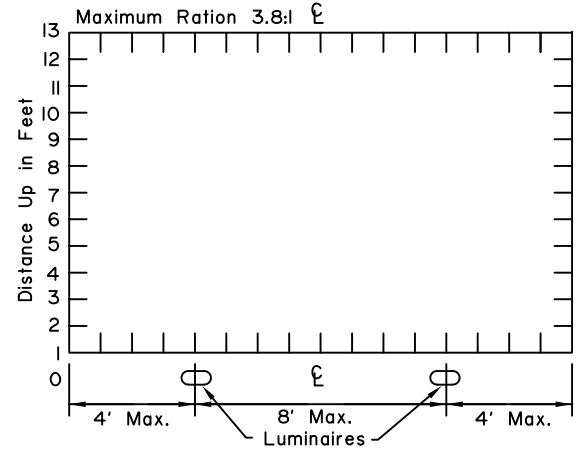
TYPICAL LUMINAIRE ASSEMBLIES



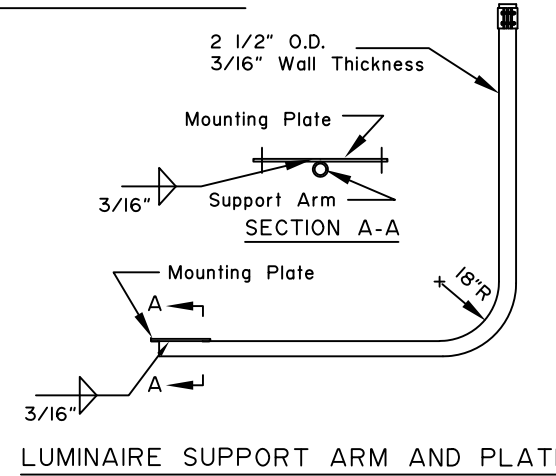
MOUNTING PLATE AND BRACKET DETAILS



ELECTRICAL ASSEMBLY DETAILS



MINIMUM MERCURY LUMINAIRE REQUIREMENTS



LUMINAIRE SUPPORT ARM AND PLATE

State of Alaska DOT&PF
ALASKA STANDARD PLAN
OVERHEAD SIGN MOUNTING

Adopted as an Alaska Standard Plan by: *Kenneth J. Fisher*
Kenneth J. Fisher, P.E.
Chief Engineer

Adoption Date: 02/08/2019

Last Code and Stds. Review By: Date:

Next Code and Standards Review date: 02/08/2029