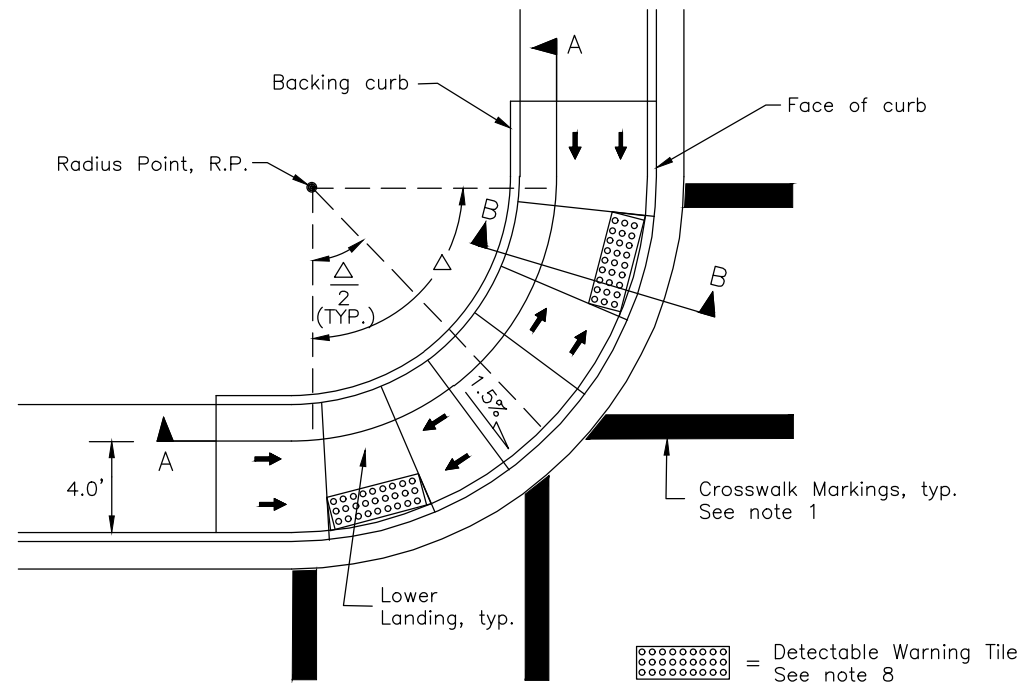
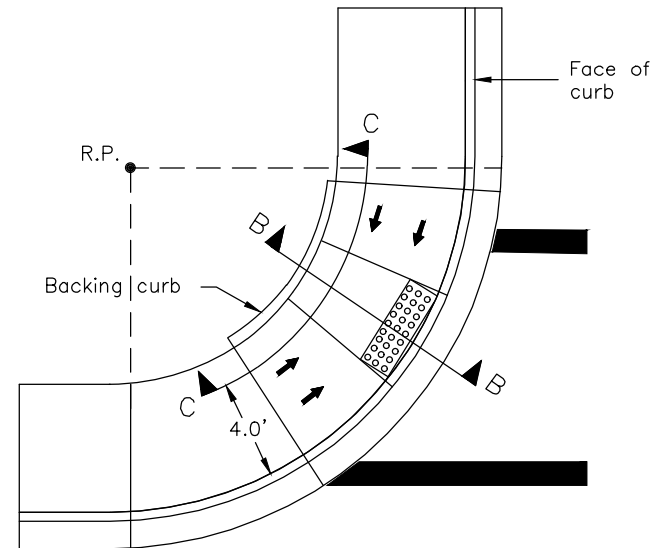


CONSTRUCTION NOTES:

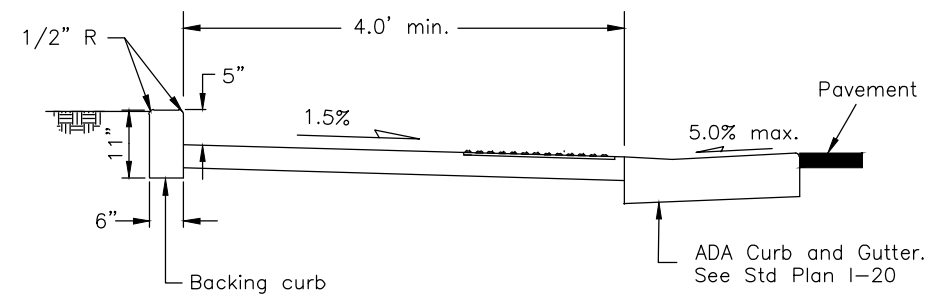
1. See plans for ramp type at specific locations. See striping plans for crosswalk layouts.
2. Construct ramp runs and landings of concrete, regardless of whether the sidewalk is asphalt or concrete.
3. When one parallel curb ramp will serve two directions, use the One Crossing Direction detail and refer to the striping plans for crosswalk layouts.
4. Ramp run lengths are shown for a flat sidewalk grade. For other sidewalk grades, increase or decrease ramp and flare lengths to maintain the slopes shown.
5. Construct ramp slopes at a nominal 7.7% grade, or flatter. Ramp slopes may be increased to a maximum of 8.3% when site conditions warrant it. Ramp lengths should be increased to keep grades under the 8.3% maximum, but are not required to exceed 15.0 feet. The resulting ramp grade at a 15.0 foot ramp length is acceptable even if it exceeds 8.3%.
6. Construct sidewalk cross slopes at 1.5% nominal (1.0% min. and 2.0% max).
7. Provide a coarse broomed finish running perpendicular to the curb on ramp runs and upper landings and parallel to the curb on lower landings.
8. Install 24" detectable warning tiles meeting Section 705.1 of the 2006 ADA Standards for Transportation Facilities for the full width of the ramp.
9. Maximum cross slope on lower landings is 2.0% as measured in any direction. Maximum cross slope on ramps is 2.0% measured perpendicular to the ramp run.
10. Provide 4" minimum thick concrete on ramps and landings.



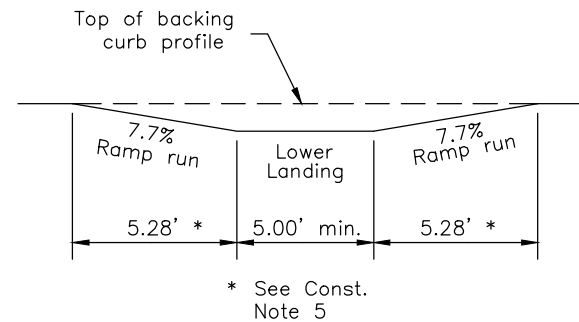
TWO CROSSING DIRECTIONS
At corner



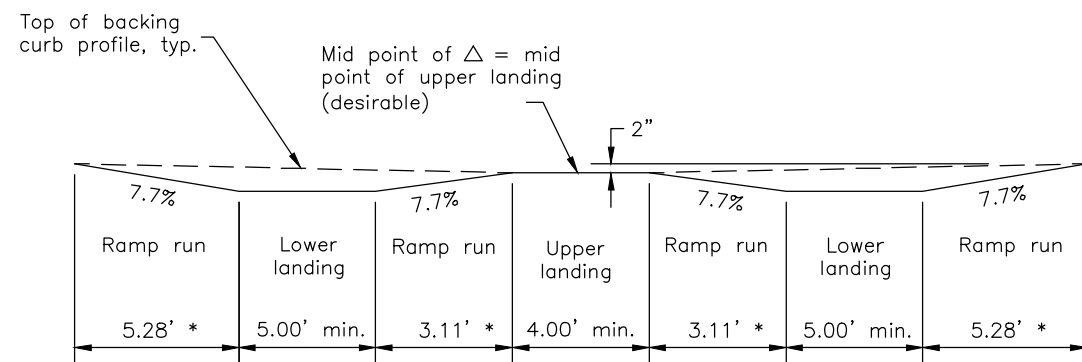
ONE CROSSING DIRECTION
At corner - generic location shown



SECTION B-B

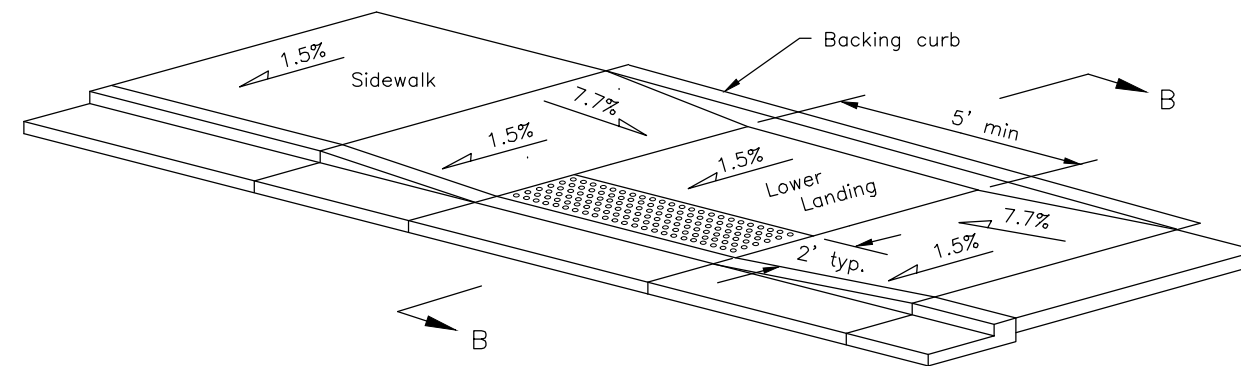


PROFILE C-C



* See Const. Note 5

PROFILE A-A



MID-BLOCK

Note: Drawing not to scale

State of Alaska DOT&PF
ALASKA STANDARD PLAN

PARALLEL CURB RAMP

Adopted as an Alaska Standard Plan by: *Carolyn Morehouse*
Carolyn Morehouse, P.E.
Chief Engineer

Adoption Date: 7/17/2020

Last Code and Stds. Review
By: KLH Date: 7/8/2020

Next Code and Standards Review date: 7/8/2030