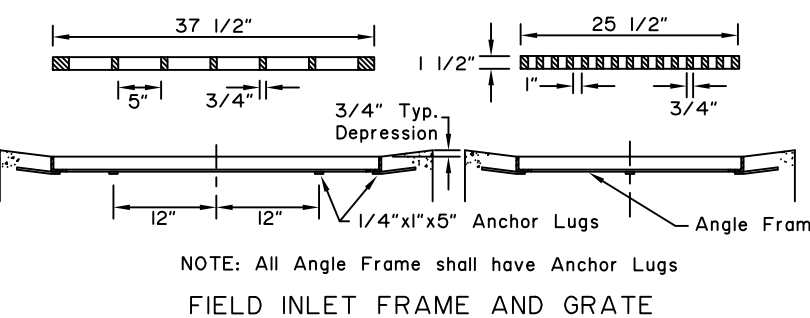
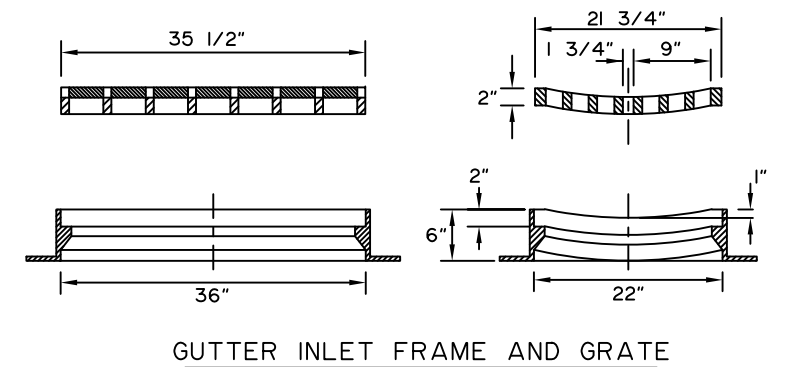
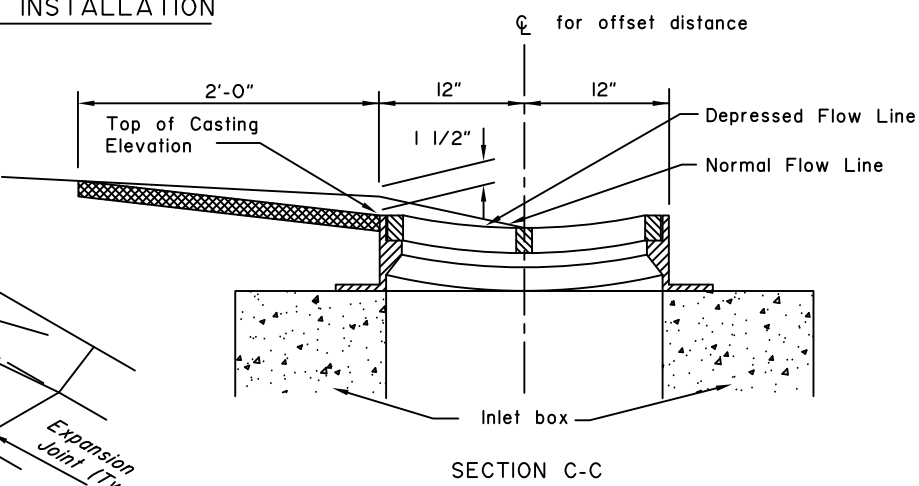
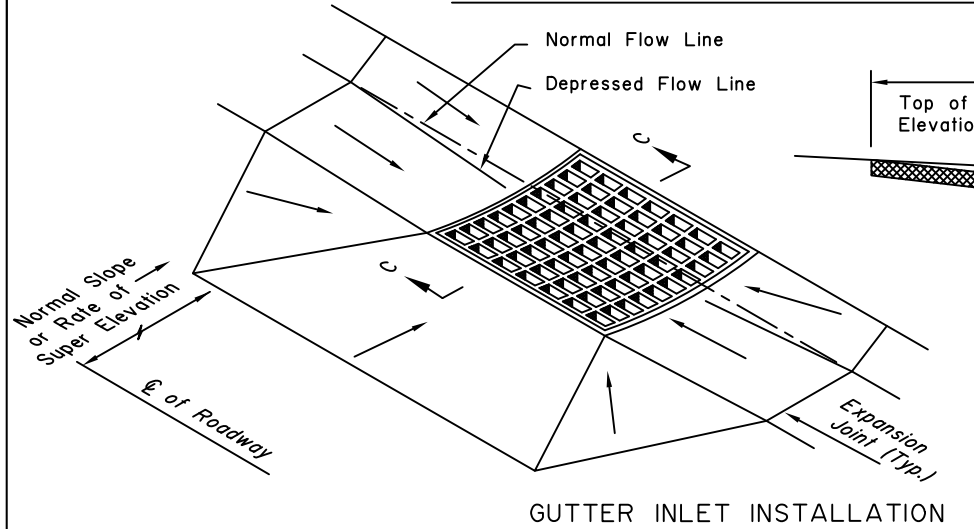
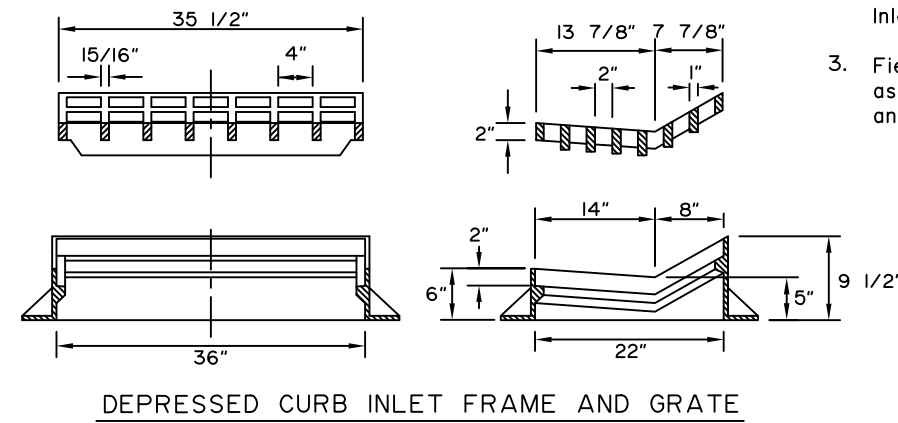
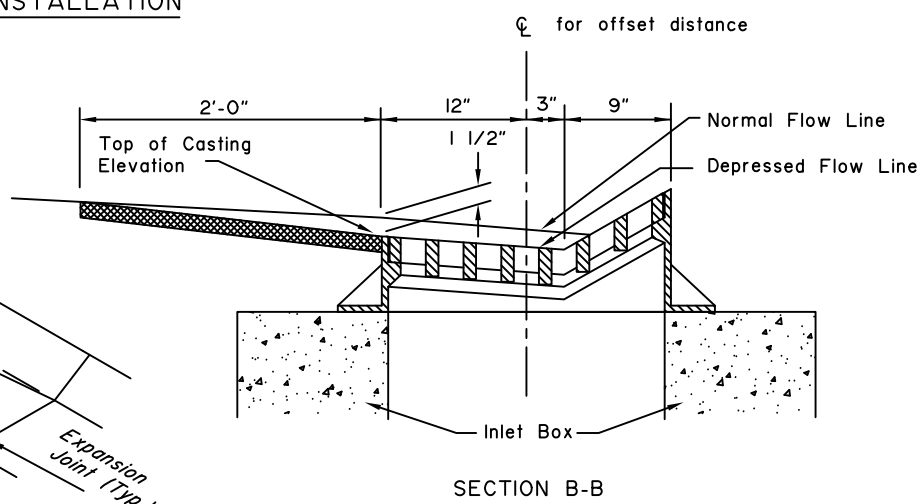
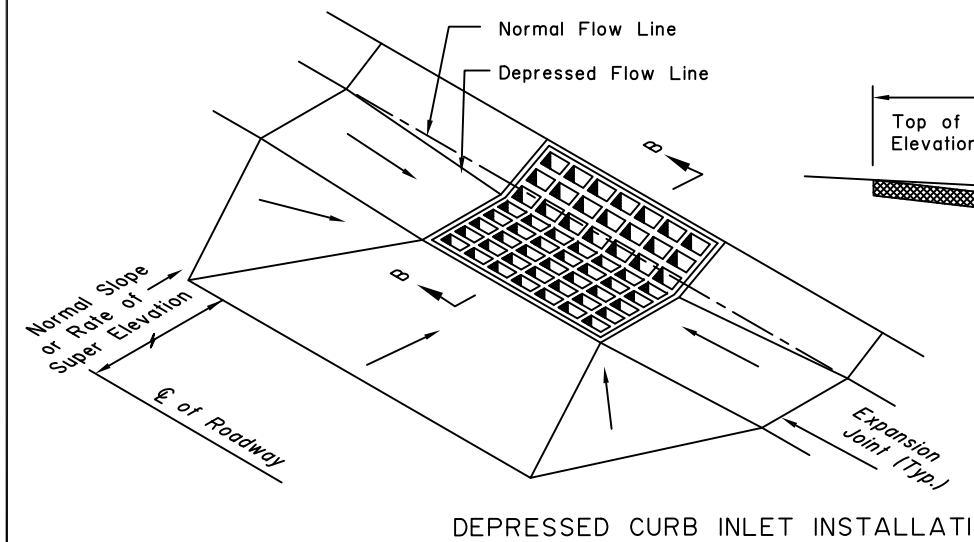
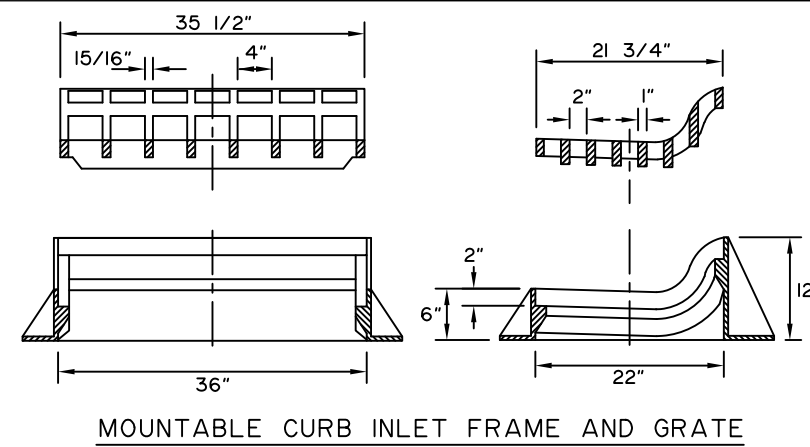
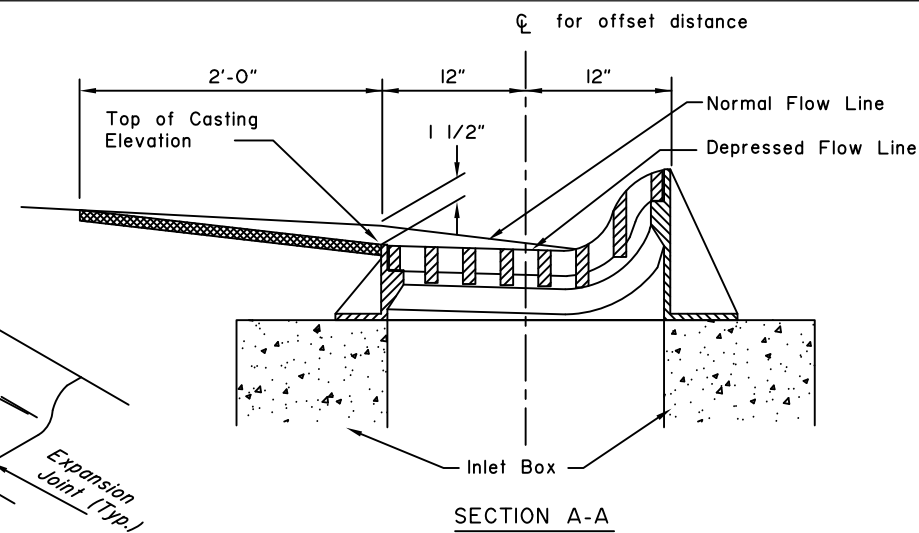
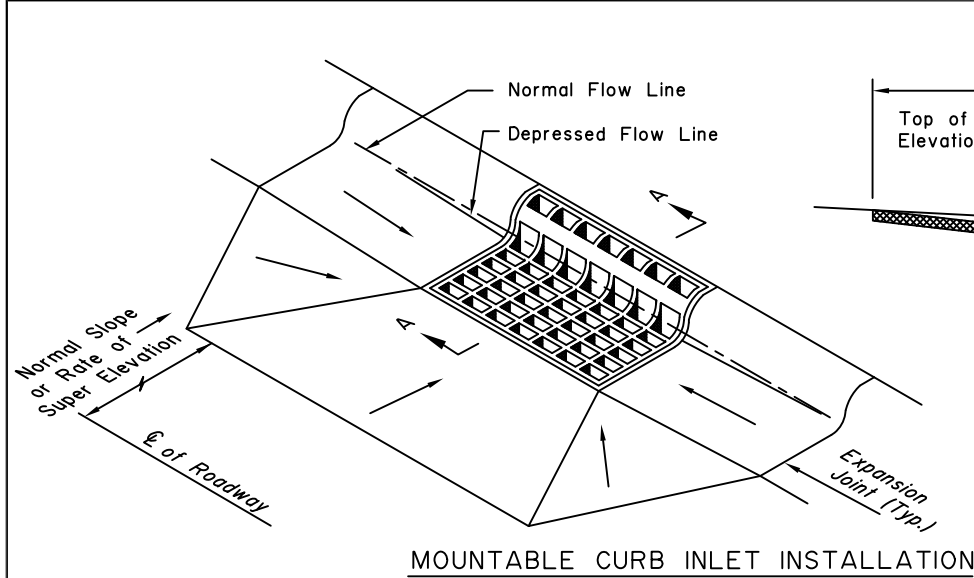
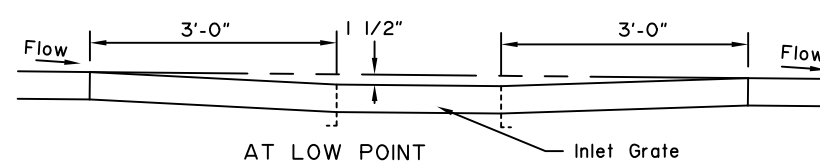
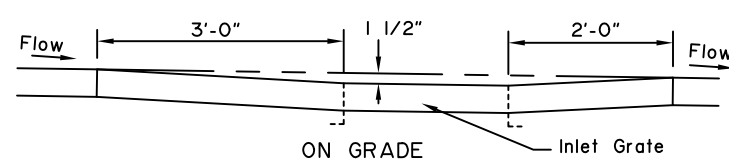


GENERAL NOTES:

1. Details shown are to indicate general design only. Dimensions and design may vary among the manufacturers. Except inlet grate outside dimension shall be as shown on this drawing.
2. Minimum casting weight shall be 550lbs. for Curb Inlet Frame and Grate, 450lbs. for Gutter Inlet Frame and Grate, and 300lbs. for Field Inlet Frame and Grate.
3. Field Inlet Frame may be welded assembly of L 1 3/4"x1 3/4"x1/4" angle equivalent to ASTM A-36 steel.



NOTE: All Angle Frame shall have Anchor Lugs



DEPRESSION IN FLOW LINE AT INLET CONSTRUCTION DETAILS

State of Alaska DOT&PF
ALASKA STANDARD PLAN
**INLET FRAMES
AND GRATES**

Adopted as an Alaska Standard Plan by: *Kenneth J. Fisher*
Kenneth J. Fisher, P.E.
Chief Engineer

Adoption Date: 02/08/2019

Last Code and Stds. Review By: Date:

Next Code and Standards Review date: 02/08/2029